

9040

Pressure reducing valves
made of stainless steel with
threaded connections

→ Series 9040



■ SUITABLE FOR

Potable water cold	up to 40°C	
Potable hot water	up to 85°C	

■ EXAMPLES OF USE

Protection of water supply systems in single-family homes, apartment buildings, commercial and industrial buildings or machines against excessive supply pressure. Usage of pressure reducing valves when a constant supply pressure is required in the system.

- Protection against overpressure
- Increase of comfort and reduction of water consumption
- Drinking water supply systems
- Service water supply in industrial and building services engineering
- Machines / plants connected to the drinking water network
- Irrigation technology / Cattle fattening

■ FEATURES

- First class flow rate and pressure control
- Filter screen with 160µm mesh - protection of the system with easy cleaning and contamination detection with clear filter cup
- Housing made of high-quality stainless steel V4A
- High-quality plastic from medical technology sector
- Adjustment scale visible from two angles for adjustment without pressure gauge / operating pressure

■ APPROVALS

DIN-DVGW type test approval (up to 80°C)	
Type approval ACS	
Type approval PZH	
TR ZU 032/2013 - TR ZU 010/2011	
WRAS	
Type approval SVGW	
FDA All materials in contact with media are FDA conform	
Noise protection class P-IX 7444/I for DN15,20 and 25, P-IX 7445/II for DN32	
Requirements	
DIN EN 1567	DVGW W270
DIN 4109	Elastomere guideline
UBA BWGL for metallic materials	KTW guideline
Classification society	
American Bureau of Shipping	ABS



■ MATERIAL



■ SPECIFICATION



1/2" – 2"



+5°C to +85°C



Inlet pressure:
up to 16 bar / 25 bar
Outlet pressure:
0,5 - 12 bar

■ MATERIALS

Component	Material	DIN EN
Body	Stainless steel	1.4408
Valve insert	Plastic Stainless steel Elastomere	PPSU 1.4404 EPDM
Filter cup	Plastic or Stainless steel	PA
Filter screen	Plastic Stainless steel	POM 1.4401
Spring housing	Plastic	PA Glass fibre reinforced
O-rings	Elastomere	EPDM
Plugd	Plastic	PA Glass fibre reinforced

m	with diaphragm	High-quality, heat-resistant moulded elastomere, fabric-reinforced diaphragm.
----------	----------------	---

■ MEDIUM

F	liquid	for drinking water. Not suitable for steam. Other medium on request.
----------	--------	--

■ TYPE OF LIFTING MECHANISM

0	without lifting device
----------	------------------------

■ OUTLET PRESSURE RANGES

SP	Standard version	Inlet pressure: up to 16 bar / 25 bar	Outlet pressure: from 1,5 to 7 bar
HP	High-pressure version	Inlet pressure: up to 16 bar / 25 bar	Outlet pressure: from 3 to 12 bar
LP	Low-pressure version	Inlet pressure: up to 16 bar / 25 bar	Outlet pressure: from 0,5 to 3 bar

■ AVAILABLE NOMINAL DIAMETERS AND CONNECTION SIZES

Nominal diameter DN	15	20	25	32	40	50
Inlet	1/2" (15)	3/4" (20)	1" (25)	1 1/4" (32)	1 1/2" (40)	2" (50)
Outlet	1/2" (15)	3/4" (20)	1" (25)	1 1/4" (32)	1 1/2" (40)	2" (50)

■ TYPE OF CONNECTION INLET / OUTLET THREADED CONNECTIONS

BSP-Tm / BSP-Tm	Standard threaded male connection	Male thread BSP-T / Male thread BSP-T	DIN EN 10226 / DIN EN 10226
Threaded connection hose nozzle	on request	according to customer configuration	
Bulkhead fitting with push-in connection	on request	according to customer configuration	

■ NOMINAL PRESSURE RATING PN

PN16	nominal pressure rating PN16, maximum inlet pressure 16 bar	version with filter cup made of plastic	operating temperature 40°C
PN25	nominal pressure rating PN25, maximum inlet pressure 25 bar	version with filter cup made of stainless steel	operating temperature 85°C

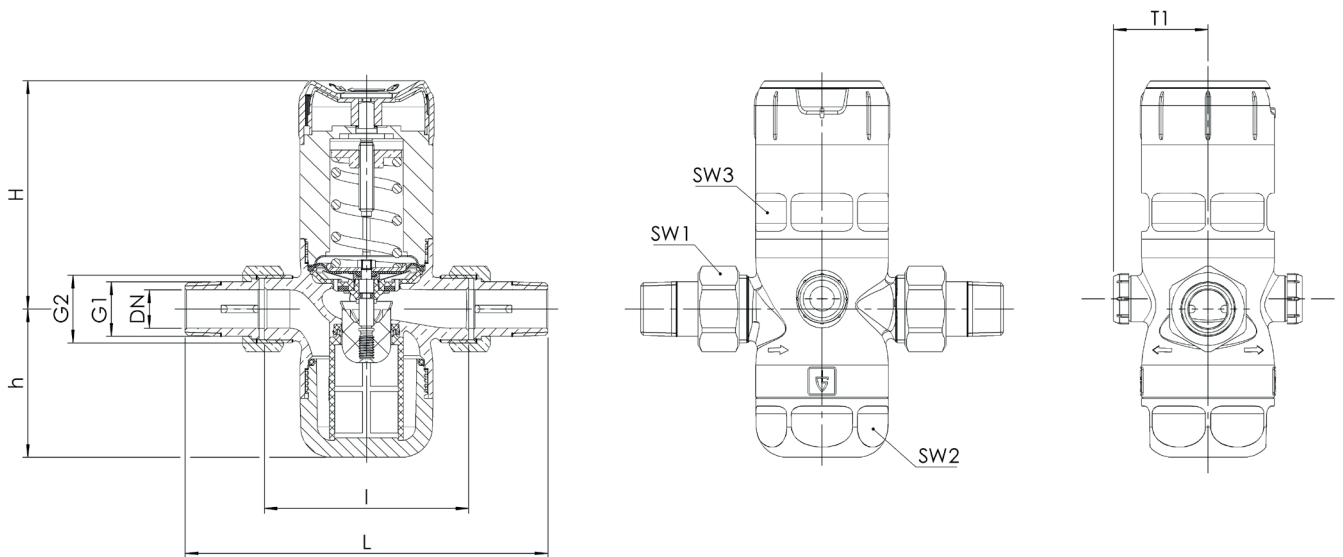
■ SEALS

EPDM	Ethylene propylene diene	Elastomere moulded diaphragm and seals
-------------	--------------------------	--

Series 9040: Connection, installation dimensions, ranges of adjustment							
Nominal diameter	DN	15	20	25	32	40	50
Threaded nozzle connection DIN EN 10226-1	G1	R 1/2"	R 3/4"	R 1"	R 1 1/4"	R 1 1/2"	R 2"
Connection body DIN ISO 228-1	G2	G 3/4"	G 1"	G 1 1/4"	G 1 1/2"	G 2"	G 2 1/2"
Inlet pressure filter cup made of plastic	bar	max. 16	max. 16	max. 16	max. 16	max. 16	max. 16
Inlet pressure filter cup made of stainless steel	bar	max. 25	max. 25	max. 25	max. 25	max. 25	max. 25
Operating temperature filter cup made of plastic	°C	40	40	40	40	40	40
Operating temperature filter cup made of stainless steel	°C	85	85	85	85	85	85
Outlet pressure range SP / presetting 3 bar	bar	1,5 - 7	1,5 - 7	1,5 - 7	1,5 - 7	1,5 - 7	1,5 - 7
Outlet pressure range HP / presetting 5 bar	bar	3 - 12	3 - 12	3 - 12	3 - 12	3 - 12	3 - 12
Outlet pressure range LP / presetting 1 bar	bar	0,5 - 3	0,5 - 3	0,5 - 3	0,5 - 3	0,5 - 3	0,5 - 3
Installation dimensions in mm	L	136	152	170	191	220	254
	I	80	90	100	105	130	140
	H	89	89	111	111	151	151
	h	58	58	64	64	94	94
	T1	37	37	46	46	50	50
	SW1	30	37	46	52	65	80
	SW2	46	46	66	66	75	75
	SW3	46	46	65	65	75	75
	G3	1/4" axial	1/4" axial	1/4" axial	1/4" axial	1/4" axial	1/4" axial
	Weight	kg	0,8	0,9	1,7	1,9	3,9
Coefficient of flow Kvs	m³/h	3,4	4,4	9,3	10,5	19,5	20,5

Installation dimensions without threaded connection like series 681 and D06F.

■ MAIN DIMENSIONS, INSTALLATION DIMENSIONS



Series 9040 ■ INDIVIDUAL SELECTION / VALVE CONFIGURATION

Series	Valve version	Medium	Lifting device	Outlet pressure range	Nominal diameter DN	Connection type		Connection size		PN	Options	Seal	Quantity
						Inlet	Outlet	Inlet	Outlet				
9040	m	F	0	SP	20	BSP-T m	BSP-T m	20	20	PN16	S111	EPDM	8
9040	m	F	0	SP	15	BSP-T m	BSP-T m	15	15	PN16		EPDM	4
9040	m	F	0										
9040	m	F	0										

■ PROPERTIES

S20	Supply without threaded connections	<input type="checkbox"/>
S111	Supply with threaded connections lead-free	<input type="checkbox"/>

■ CERTIFICATES / APPROVALS

C01	Factory certificate acc. DIN EN 10204 2.2 (WKZ 2.2)	<input type="checkbox"/>
C02	Test certificate acc. DIN EN 10204 3.1 (WPZ 3.1)	<input type="checkbox"/>
C03	Material test certificate acc. DIN EN 10204 3.1 (MPZ 3.1) (pressure retaining part)	<input type="checkbox"/>

■ ADMISSIONS / ACCREDITATIONS

AA1	EC Type examination acc. to Directive 2014/68/EU	<input checked="" type="checkbox"/>	AB3	Attestation de Conformité Sanitaire, ACS type approval	<input type="checkbox"/>
AA4	EAC - certificate/declaration with passport for the valve and laser marking of the valve	<input type="checkbox"/>	AB5	Schweizerischer Verein des Gas- and Wasserfaches - type approval	<input type="checkbox"/>
AB1	Deutscher Verein des Gas- and Wasserfaches, DVGW type approval	<input type="checkbox"/>	AK3	American Bureau of Shipping (ABS) type approval	<input type="checkbox"/>
AB2	Water regulations and advisory scheme WRAS type approval	<input type="checkbox"/>			<input type="checkbox"/>

■ ENQUIRY

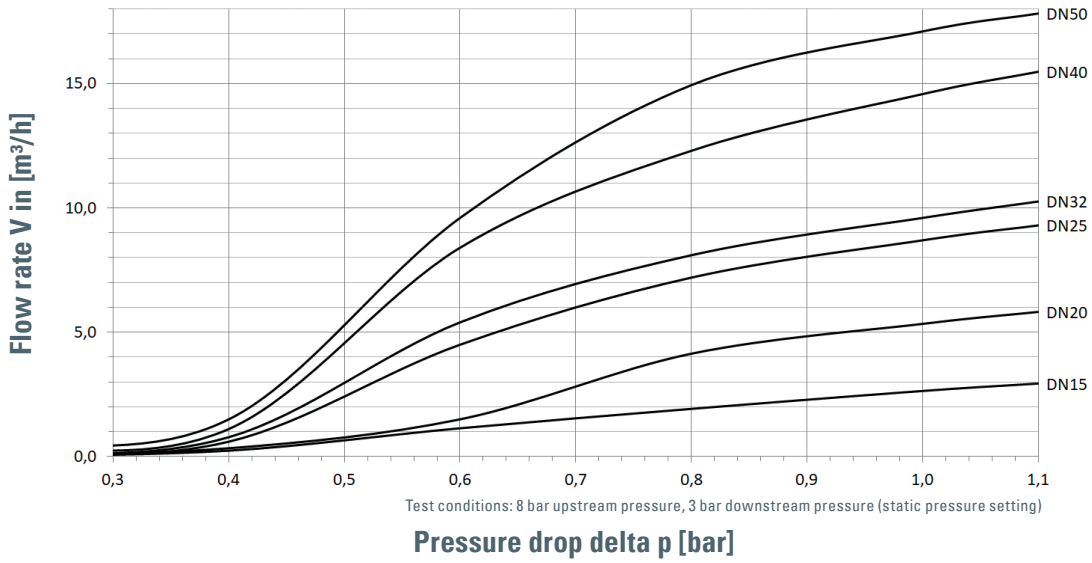
Copy and send to: order@goetze-armaturen.de.

Order form easily to be found online under the section for each series.

Series 9000:

Dimensioning by pressure loss on the outlet pressure side

Flow chart water



Dimensioning by flow velocity

For liquids:

With help of the chart you can determine the nominal diameter (DN) for a given flow volume V (m³/h). According to DVGW-guidelines (DIN 1988) a flow velocity of 2 m/s in domestic water supply systems should not be exceeded.

