

→ Series 9060



■ SUITABLE FOR

Potable water cold	up to 40°C	
Potable hot water	up to 85°C	

■ EXAMPLES OF USE

Protection of water supply systems in single-family homes, apartment buildings, commercial and industrial buildings or machines against excessive supply pressure. Usage of pressure reducing valves when a constant supply pressure is required in the system.

- Protection against overpressure
- Increase of comfort and reduction of water consumption
- Drinking water supply systems
- Service water supply in industrial and building services engineering
- Machines / plants connected to the drinking water network
- Irrigation technology / Cattle fattening

■ FEATURES

- First class flow rate and pressure control
- Filter screen with 160µm mesh - protection of the system with easy cleaning and contamination detection with clear filter cup
- High-quality plastic from medical technology sector
- Adjustment scale visible from two angles for adjustment without pressure gauge / operating pressure

■ APPROVALS

DIN-DVGW type test approval (up to 80°C)	
Type approval ACS	
Type approval PZH	
Approval for England pending	
FDA All materials in contact with media are FDA conform	
Noise protection class P-IX 7444/I for DN15 and DN20	
Requirements	
DIN EN 1567	Elastomere guideline
DIN 4109	KTW guideline
UBA BWGL for metallic materials	
DVGW W270	



■ MATERIAL



■ SPECIFICATION



1/2" – 1"



+5°C to +85°C



Inlet pressure:
up to 16 bar / 25 bar
Outlet pressure:
0,5 - 12 bar

■ MATERIALS

Component	Material	DIN EN
Body	dezincification resistant brass	CC770S
Valve insert	Plastic Stainless steel Elastomere	PPSU 1.4404 EPDM
Filter cup	Plastic or dezincification resistant brass	PA
Filter screen	Plastic Stainless steel	POM 1.4401
Spring housing	Plastic	PA Glass fibre reinforced
O-rings	Elastomere	EPDM
Plugd	Plastic	PA Glass fibre reinforced

m	with diaphragm	High-quality, heat-resistant moulded elastomere, fabric-reinforced diaphragm.
----------	----------------	---

■ MEDIUM

F	liquid	for drinking water. Not suitable for steam. Other medium on request.
----------	--------	--

■ TYPE OF LIFTING MECHANISM

0	without lifting device
----------	------------------------

■ OUTLET PRESSURE RANGES

SP	Standard version	Inlet pressure: up to 16 bar / 25 bar	Outlet pressure: from 1,5 to 7 bar
HP	High-pressure version	Inlet pressure: up to 16 bar / 25 bar	Outlet pressure: from 3 to 12 bar
LP	Low-pressure version	Inlet pressure: up to 16 bar / 25 bar	Outlet pressure: from 0,5 to 3 bar

■ AVAILABLE NOMINAL DIAMETERS AND CONNECTION SIZES

Nominal diameter DN	15	20	25
Inlet	1/2" (15)	3/4" (20)	1" (25)
Outlet	1/2" (15)	3/4" (20)	1" (25)

■ TYPE OF CONNECTION INLET / OUTLET THREADED CONNECTIONS

BSP-Tm / BSP-Tm	Standard threaded male connection	Male thread BSP-T / Male thread BSP-T	DIN EN 10226 / DIN EN 10226
Threaded connection hose nozzle	on request	according to customer configuration	
Bulkhead fitting with push-in connection	on request	according to customer configuration	

■ NOMINAL PRESSURE RATING PN

PN16	nominal pressure rating PN16, maximum inlet pressure 16 bar	version with filter cup made of plastic	operating temperature 40°C
PN25	nominal pressure rating PN25, maximum inlet pressure 25 bar	version with filter cup made of dezincification resistant brass	operating temperature 85°C

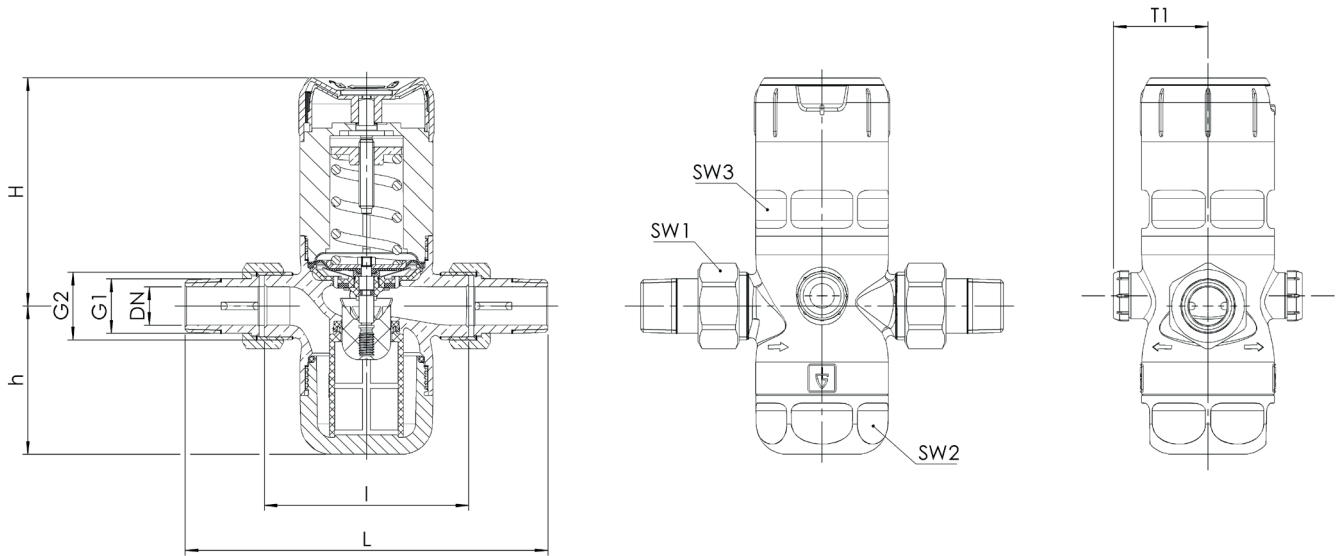
■ SEALS

EPDM	Ethylene propylene diene	Elastomere moulded diaphragm and seals
-------------	--------------------------	--

Series 9060: Connection, installation dimensions, ranges of adjustment				
Nominal diameter	DN	15	20	25
Threaded nozzle connection DIN EN 10226-1	G1	R 1/2"	R 3/4"	R 1"
Connection body DIN ISO 228-1	G2	G 3/4"	G 1"	G 1 1/4"
Inlet pressure filter cup made of plastic	bar	max. 16	max. 16	max. 16
Inlet pressure filter cup made of dezincification resistant brass	bar	max. 25	max. 25	max. 25
Operating temperature filter cup made of plastic	°C	40	40	40
Operating temperature filter cup made of dezincification resistant brass	°C	85	85	85
Outlet pressure range SP / presetting	bar	1,5 - 7 / 3	1,5 - 7 / 3	1,5 - 7 / 3
Outlet pressure range HP / presetting	bar	3 - 12 / 5	3 - 12 / 5	3 - 12 / 5
Outlet pressure range LP / presetting	bar	0,5 - 3 / 1	0,5 - 3 / 1	0,5 - 3 / 1
Installation dimensions in mm	L	136	152	170
	I	80	90	100
	H	89	89	89
	h	58	58	58
	T1	37	37	37
	SW1	30	37	37
	SW2	46	46	46
	SW3	46	46	46
	G3	1/4" axial	1/4" axial	1/4" axial
	Weight	kg	0,8	0,9
Coefficient of flow Kvs	m³/h	3,4	4,4	4,7

Installation dimensions without threaded connection like series 681 and D06F.

■ MAIN DIMENSIONS, INSTALLATION DIMENSIONS



Series 9060 ■ INDIVIDUAL SELECTION / VALVE CONFIGURATION

Series	Valve version	Medium	Lifting device	Outlet pressure range	Nominal diameter DN	Connection type		Connection size		PN	Options	Seal	Quantity
						Inlet	Outlet	Inlet	Outlet				
9060	m	F	0	SP	15	BSP-T m	BSP-T m	15	15	PN16		EPDM	4
9060	m	F	0										
9060	m	F	0										

■ PROPERTIES

S17	Supply with manometers: plastic housing, brass connection thread, max. operating temperature 60°C (SP: 0- 10 bar LP: 0 – 4 bar HP: 0 – 25 bar)	<input type="checkbox"/>
S20	Supply without threaded connections	<input type="checkbox"/>

■ CERTIFICATES / APPROVALS

C01	Factory certificate acc. DIN EN 10204 2.2 (WKZ 2.2)	<input type="checkbox"/>
C02	Test certificate acc. DIN EN 10204 3.1 (WPZ 3.1)	<input type="checkbox"/>
C03	Material test certificate acc. DIN EN 10204 3.1 (MPZ 3.1) (pressure retaining part)	<input type="checkbox"/>

■ ADMISSIONS / ACCREDITATIONS

AA1	EC Type examination acc. to Directive 2014/68/EU	<input checked="" type="checkbox"/>	AB2	Water regulations and advisory scheme WRAS type approval	<input type="checkbox"/>
AA4	EAC - certificate/declaration with passport for the valve and laser marking of the valve	<input type="checkbox"/>	AB3	Attestation de Conformité Sanitaire, ACS type approval	<input type="checkbox"/>
AB1	Deutscher Verein des Gas- und Wasserfaches, DVGW type approval	<input type="checkbox"/>			<input type="checkbox"/>

■ ENQUIRY

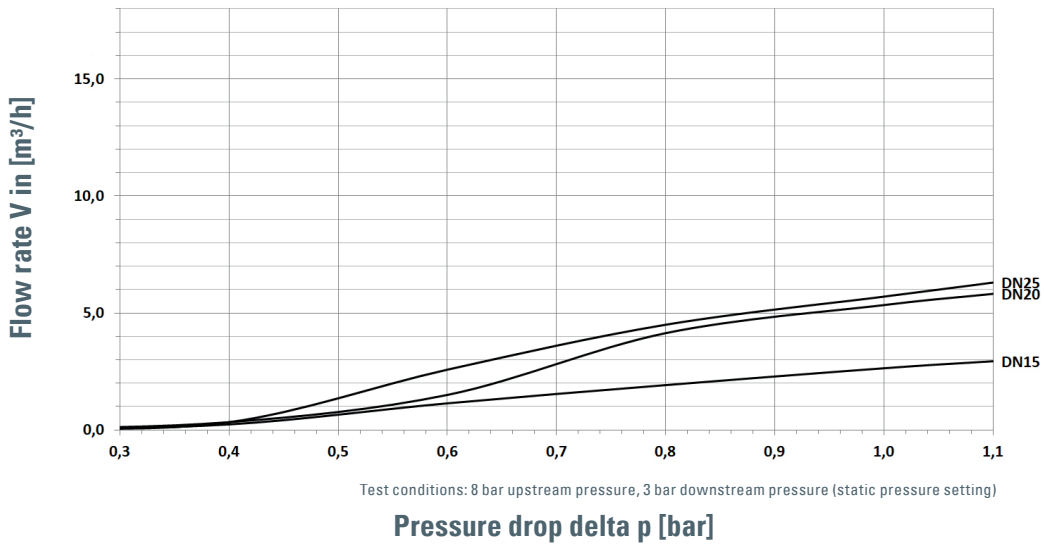
Copy and send to: order@goetze-armaturen.de.

Order form easily to be found online under the section for each series.

Series 9060:

Dimensioning by pressure loss on the outlet pressure side

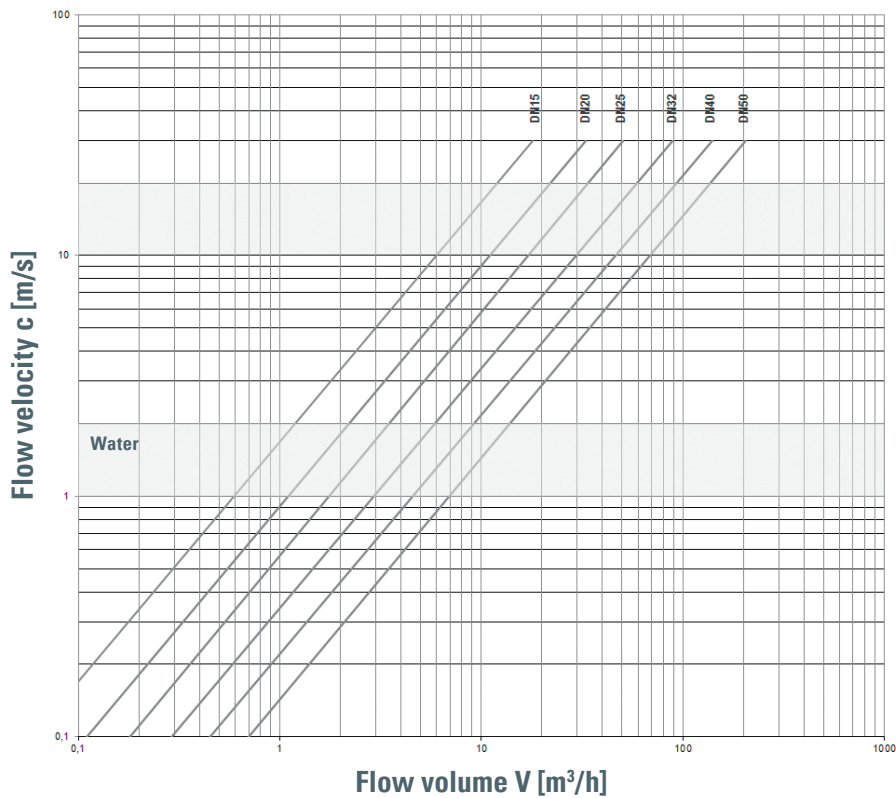
Flow chart water



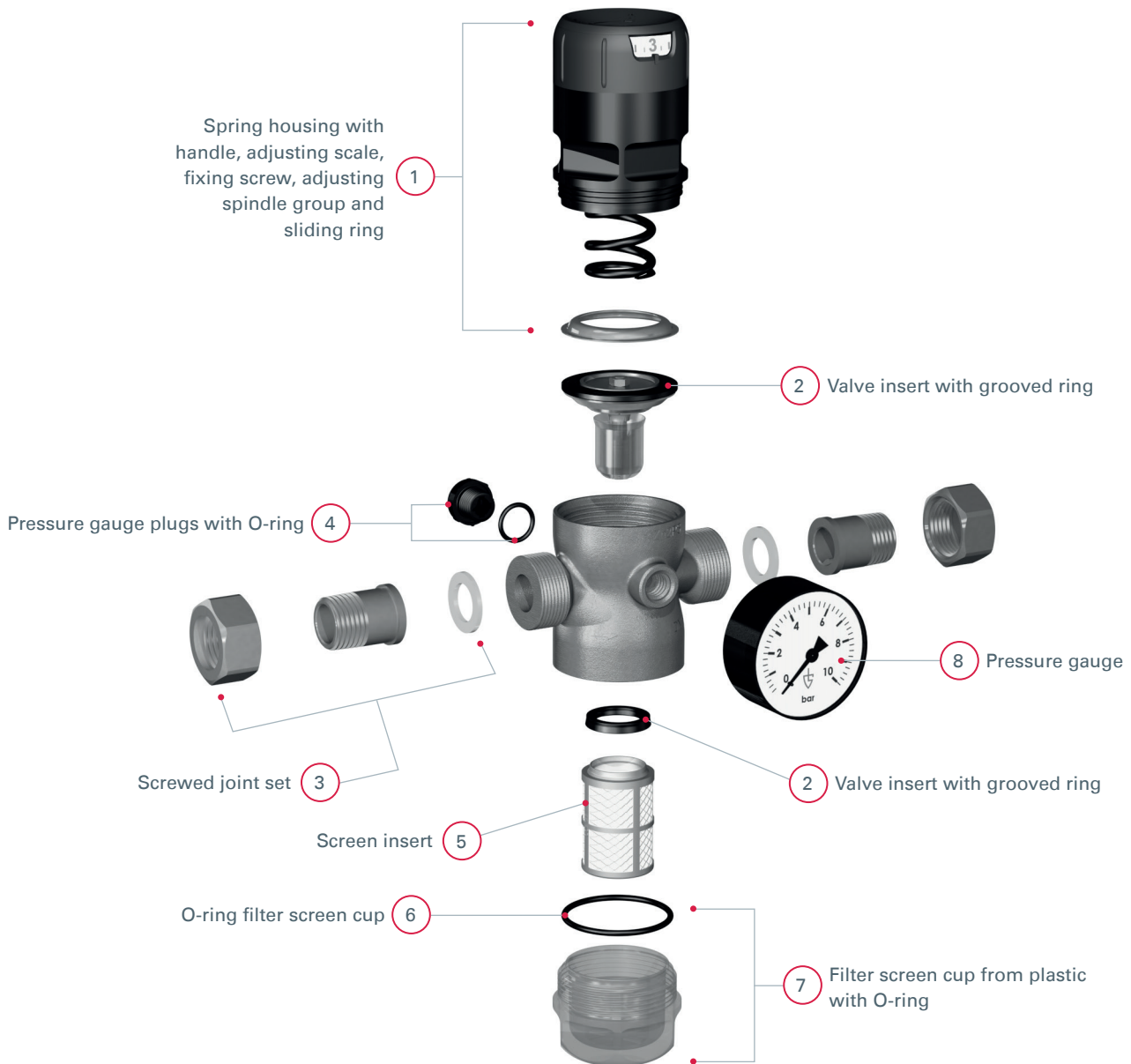
Dimensioning by flow velocity

For liquids:

With help of the chart you can determine the nominal diameter (DN) for a given flow volume V (m³/h). According to DVGW-guidelines (DIN 1988) a flow velocity of 2 m/s in domestic water supply systems should not be exceeded.



→ Spare parts overview | 9060



■ SINGLE PARTS 9060

No.	Description	Size	Item No.
1	Spring housing with handle, adjusting scale, fixing screw, adjusting spindle group and sliding ring	1/2" – 1" SP	E9000.015.010
		1/2" – 1" HP	E9000.015.011
		1/2" – 1" LP	E9000.015.012
2	Valve insert with grooved ring	1/2" – 1"	E9000.015.020
3a	Screwed joint set	1/2"	E9000.015.030
	2x threaded nozzles	3/4"	E9000.020.030
	2x union nuts		
	2x seals	1"	E9000.025.030
4	Pressure gauge plugs 1/4" with O-ring (5x)	All	E9000.015.040
5	Screen insert 160µm	1/2" – 1"	E9000.015.050
6	O-ring filter screen cup (10x)	1/2" – 1"	E9000.015.060
7a	Filter screen cup from plastic with O-ring	1/2" – 1"	E9000.015.070
7d	Filter screen cup DZR brass with O-Ring	1/2" – 1"	E9060.015.074
8a	Pressure gauge 0 – 10 bar	All	E9000.015.080
8b	Pressure gauge 0 – 25 bar	All	E9000.015.081
8c	Pressure gauge 0 – 4 bar	All	E9000.015.082
9	Drain valve 1/4"	All	E9000.015.090